

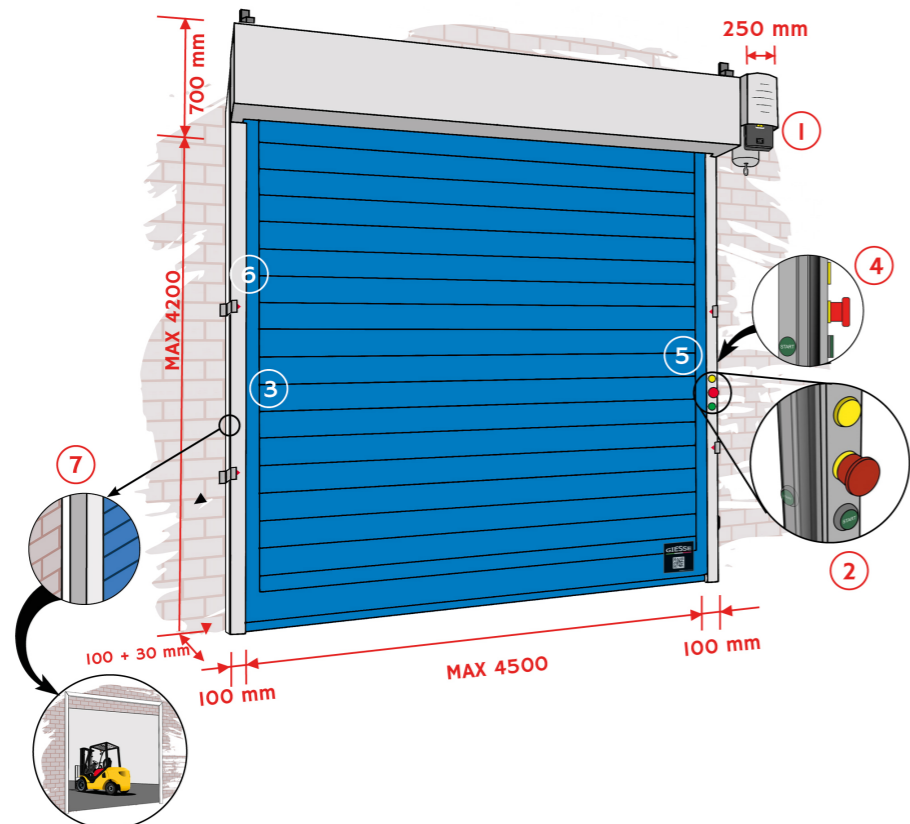
# AUTO-Choice Range

## AUTO-Frigo®

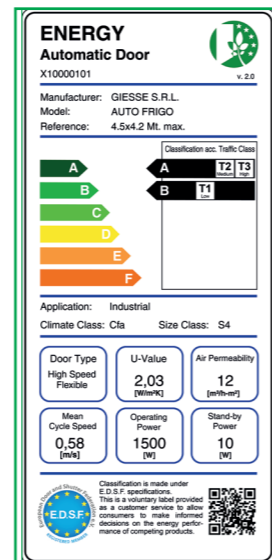
Made in ITALY, designed for internal and external use.

AUTO-Frigo® is suitable for temperature controlled environments, reducing costs to maintain temperature inside the cold or heated rooms.

AUTO-Frigo® works between -5°C / +20°C ensuring speed and safety



1. Integrated control panel 230 V
2. Start / stop push button on board
3. Light curtain
4. Start push button opposite side
5. Led flashing blinker
6. Brackets
7. Plastic isolator



**CE** 0497  
**GIESSE**  
 LOGISTICA INDUSTRIALE  
 Loc. Pautasso, 3 - Castellinaldo (CN)  
 ITALIA  
 Tel. +39 (0) 173 658377  
 www.giesselogistica.com  
 12  
**type n. and DoP n.**  
 XXXXXXXXXXXXXXXX  
 Type: AUTO FRIGO  
 Year: 2020  
 EN 13241:2003+A2:2016  
 UE N. 305/2011-2006/42/CE  
 Motorized door for internal / external application  
 Power supply: 230 V  
 Power (Max): 1,5 Kw  
 Wind load resistance: CLASS 2

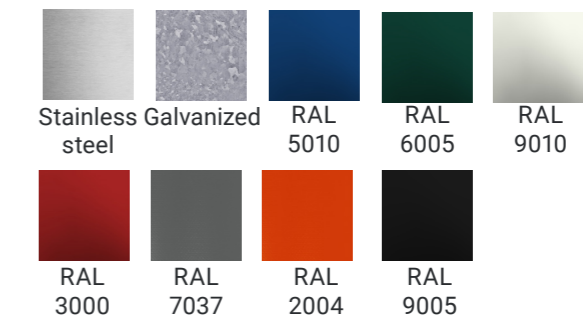
# AUTO-Frigo®

Customizable curtain with a silk-screen painting or digital printing.  
 Manageable from PLC.

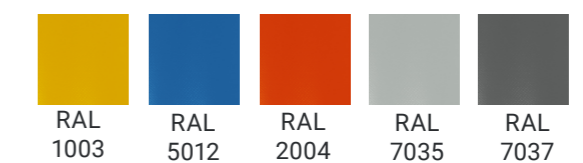


SPECIFICATION	STANDARD FEATURES
Operator	Lateral (inverter)
Max clear passage	W 4500 x H 4200 mm
Upper beam size	500 x 500 mm
Rails	Self-supporting with plastic isolator, frame with electrical conduits included
Zipper	High density polietilen profile
Opening controls	Start / stop push button on frame and led flashing blinker
Curtain	Insulated double layer polyester
Curtain reinsert	Self-repairing
Windows	No windows
Safety	Light curtains
Speed	1.0 m/s
Installation	Inside / outside
Wind resistance	Class 2
Transmittance	U value = 2.4 w/sq.m.k

### Frame: Materials and colours



### PVC suggested colours



### PVC available colours

